

**PLEASE CHECK WWW.MOLEX.COM FOR LATEST PART INFORMATION**

**Part Number:** [0474680001](#)  
**Status:** **Active**  
**Description:** 2.54mm (.100") SIM Card Connector, 6 Circuits, Surface Mount, with Guide Rail, Housing Height 2.00mm (.079"), Lead Free

**Documents:**

[3D Model](#) [Product Specification PS-47468-001 \(PDF\)](#)  
[Drawing \(PDF\)](#) [RoHS Certificate of Compliance \(PDF\)](#)

**General**

Product Family	Memory Card Sockets
Series	<a href="#">47468</a>
Button Type	N/A
Component Type	Card Holder (Host)
Product Name	SIM
Type	N/A

**Physical**

Card Detection Switch	No
Circuits (Loaded)	6
Circuits (maximum)	6
Color - Resin	Black
Durability (mating cycles max)	500
Ejector Button Side	No Ejector Button Present
Entry Angle	Horizontal
Keying to Mating Part	Yes
Material - Metal	Beryllium Copper, Stainless Steel
Material - Plating Mating	Gold
Material - Plating Termination	Gold
Material - Resin	High Temperature Thermoplastic
PCB Locator	No
PCB Mounting Side	Normal
PCB Retention	Yes
Packaging Type	Embossed Tape on Reel
Pitch - Mating Interface (in)	0.100 In
Pitch - Mating Interface (mm)	2.54 mm
Pitch - Term. Interface (in)	0.100 In
Pitch - Term. Interface (mm)	2.54 mm
Plating min: Mating (µin)	30
Plating min: Mating (µm)	0.75
Plating min: Termination (µin)	2
Plating min: Termination (µm)	0.05
Ports	1
Temperature Range - Operating	-20°C to +70°C
Termination Interface: Style	Surface Mount

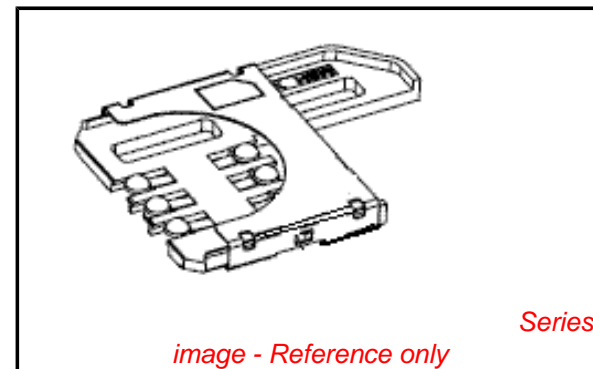
**Electrical**

Current - Maximum per Contact	0.5A
Voltage - Maximum	50V AC (RMS)/DC

**Solder Process Data**

Duration at Max. Process Temperature (seconds)	20
Lead-free Process Capability	Reflow Capable (SMT only)
Max. Cycles at Max. Process Temperature	1
Process Temperature max. C	245

**Material Info**



**EU RoHS**

**ELV and RoHS  
Compliant**  
**REACH SVHC**  
**Contains SVHC: No**  
**Halogen-Free  
Status**

**China RoHS**



**Need more information on product  
environmental compliance?**

Email [productcompliance@molex.com](mailto:productcompliance@molex.com)  
 For a multiple part number RoHS Certificate of  
 Compliance, [click here](#)

Please visit the [Contact Us](#) section for any  
 non-product compliance questions.

**Search Parts in this Series**

[47468Series](#)

**Mates With**

Standard SIM Card

**Use With**

Standard SIM Cards

**Reference - Drawing Numbers**

Packaging Specification

Product Specification

Sales Drawing

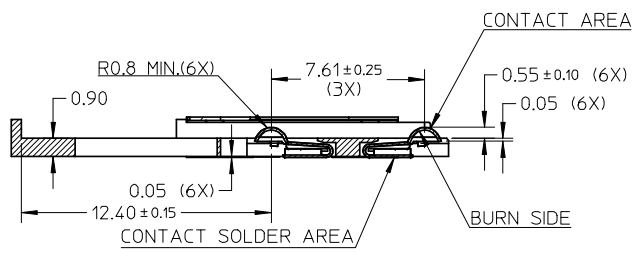
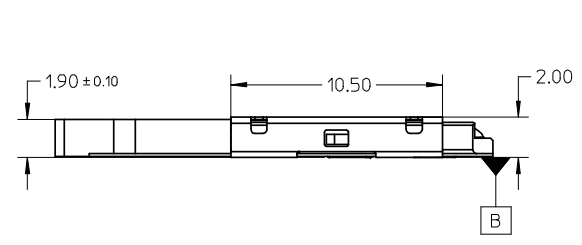
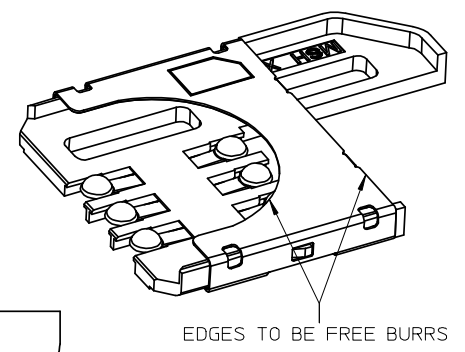
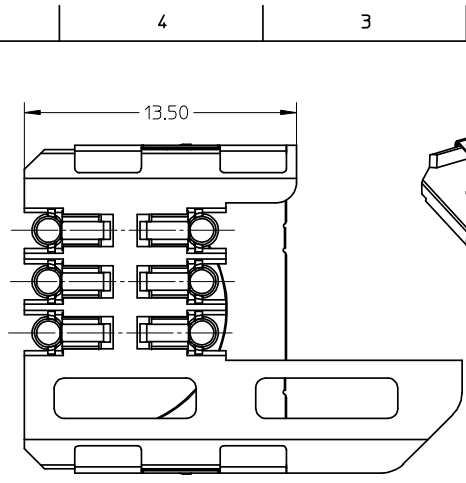
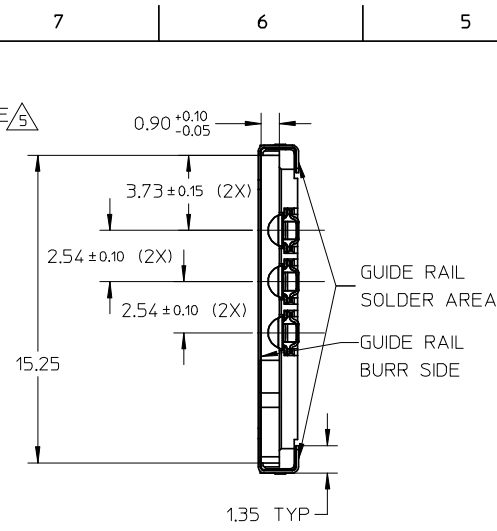
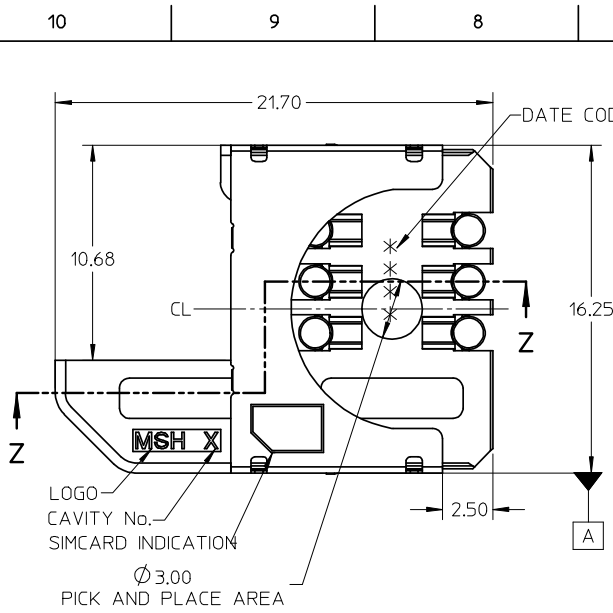
PK-47468-001

PS-47468-001

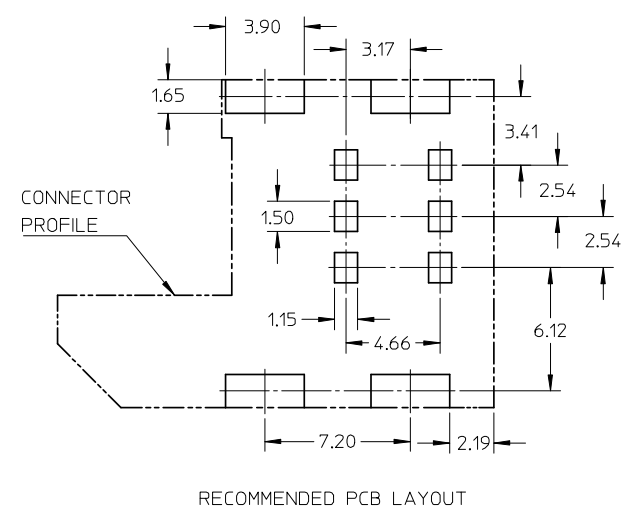
SD-47468-001

This document was generated on 05/20/2010

**PLEASE CHECK [WWW.MOLEX.COM](http://WWW.MOLEX.COM) FOR LATEST PART INFORMATION**



SECTION Z-Z



NOTE:

- MATERIAL:
  - HOUSING:LCP,45% GLASS-FILLED,UL 94V-0,COLOR IS BLACK.
  - TERMINAL:BeCu C17200(290) TM06,THICKNESS IS 0.12mm.
  - SHELL:STAINLESS STEEL,THICKNESS IS 0.15mm.
- FINISH:
  - TERMINAL:
    - CONTACT AREA:SELECTIVE 0.75 TO 1.25 MICRON GOLD .
    - SOLDER TAIL:0.05 TO 0.125 MICRON GOLD FLASH.
    - UNDERPLATING ALL OVER 1.25 TO 3.75 MICRON NICKEL.
  - GUIDE RAIL:
    - SELECTIVE 0.05 TO 0.125 MICRON GOLD FLASH OVER
    - 1.25 TO 3.75 MICRON NICKEL ON SOLDER TAIL AREA.
- COPLANARITY:0.1MM MAX. AMONG THESE TERMINAL SOLDER TAILS.
- PRODUCT SPECIFICATION:PS-47468-001.
- DATE CODE(4 DIGITS)
 

***	EXAMPLE
	2006/01/15 → 6015
	2006/02/10 → 6041
	2007/03/10 → 7069
	DAY COUNTED FROM
	FIRST DAY OF THE YEAR
	YEAR
- THE PART 474680001 COMPLIANT TO RoHS DIRECTIVE 2002/95/EC AND ELV 2000/53/EC.

FOR PCN CHANGE EC NO: SH2008-0410 DRWN:HPOIAN 2008/02/26 CHKD:RZHANG 2008/02/28 APPR:HWANG 2008/03/26	QUALITY SYMBOLS	GENERAL TOLERANCES (UNLESS SPECIFIED)		DIMENSION STYLE	SCALE	DESIGN UNITS	THIRD ANGLE PROJECTION	
	▽=0 ∇=0	mm	INCH	MM ONLY	4:1	METRIC		
		4 PLACES ± --- ± ---	BWAN	DATE	TITLE	LOW PROFILE 2.0 SIM CONN WITH GUIDE RAIL		
		3 PLACES ± --- ± ---	CHECKED BY	DATE				
	2 PLACES ± 0.13 ± ---	XIXU	DATE		MOLEX INCORPORATED			
	1 PLACE ± --- ± ---	APPROVED BY	DATE					
	ANGULAR ± 1 °	JNCHEN	DATE		MATERIAL NO.	DOCUMENT NO.	SHEET NO.	
					474680001	SD-47468-001	1 OF 1	
		DRAFT WHERE APPLICABLE MUST REMAIN WITHIN DIMENSIONS						
		SIZE	THIS DRAWING CONTAINS INFORMATION THAT IS PROPRIETARY TO MOLEX INCORPORATED AND SHOULD NOT BE USED WITHOUT WRITTEN PERMISSION					
		A3						